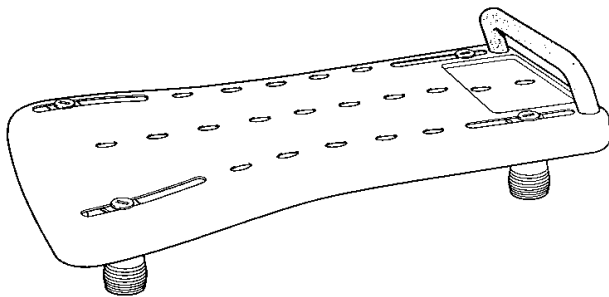


This leaflet gives you important information about the general use and care of a bathboard.

The information describes how to install, use and care for the bathboard.

It does not replace specific instructions given to you by the equipment prescriber.

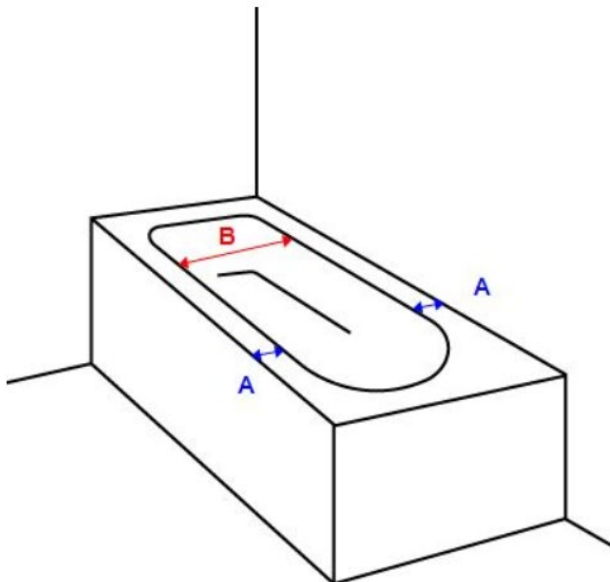
Plastic Bathboard – Use and Care



A bathboard can provide a safe way for a person to get in and out of a shower over the bath, however they do not fit all baths.

There may be other assistive technology (equipment) available if your bath is not suitable.

A bathboard may be fitted if the bath meets the following requirements:

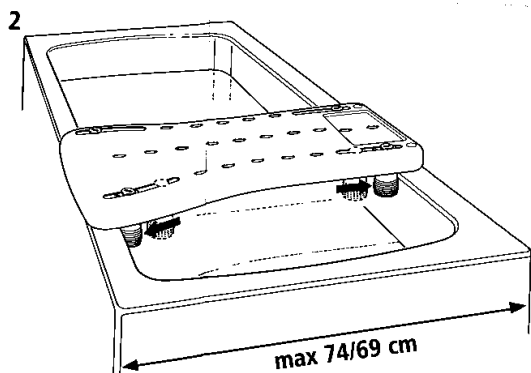


There is a flat surface on each side that the bathboard will rest on (ideally at least 30mm). See **A** in diagram.

The internal bath width (**B** in diagram) allows the bathboard feet to fit securely when adjusted.



To fit:



1. Loosen feet by turning anti-clockwise.
2. Place bathboard on the bath (handle next to wall, if fitted).
3. Tighten feet by turning clockwise.
4. Test that the bathboard is secure before using.

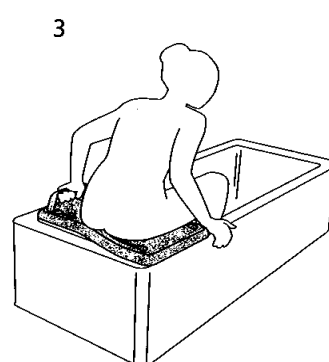
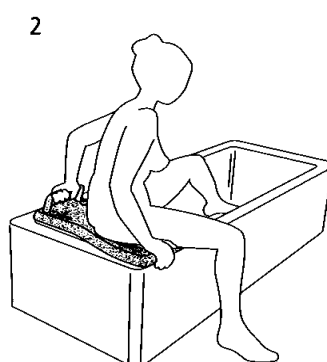
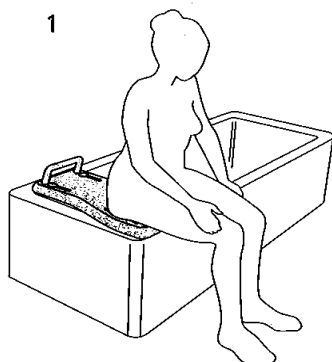
Weight limit 150kg

Temperature limit between -3° and 70°c

Clean bathboard with warm water and a mild soap

To Use:

1. Stand at edge of bath with your back towards bathboard. You should feel the bath with the back of your legs
2. Sit on bathboard as far back as you can.
3. Lift your legs into bath one at a time, holding the handle (if fitted).



Repairs to your equipment:

If your equipment is broken, damaged, rusted or worn contact your local TasEquip warehouse to arrange for repair or replacement. Contact TasEquip on: 1300 827 378 or directly to the regional warehouse below:

Hobart	Launceston	Latrobe
Repat Centre, 90 Davey Street, Hobart Tel: 03 6166 7393, SouthTasEquip@ths.tas.gov.au Fax: 03 6173 0413	3/213 Wellington Street, Launceston Tel: 03 6777 4336 NthTasEquip@ths.tas.gov.au Fax: 03 6777 5142	Mersey Community Hospital, Moriarty Rd, Latrobe Tel: 03 6478 5599 NWTasEquip@ths.tas.gov.au Fax: 03 6441 5949